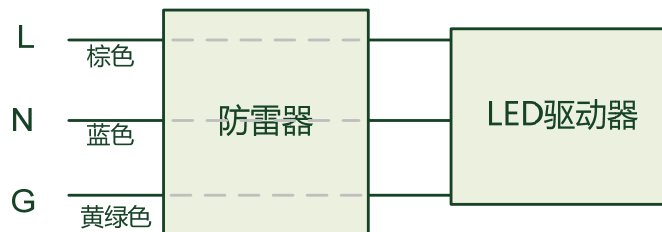


- = 10kV 1.2/50us
- 85
- L-N L-G,N-G IEEE/ANSI
- C62.41.2 / IEC EN 61000-4-5
-



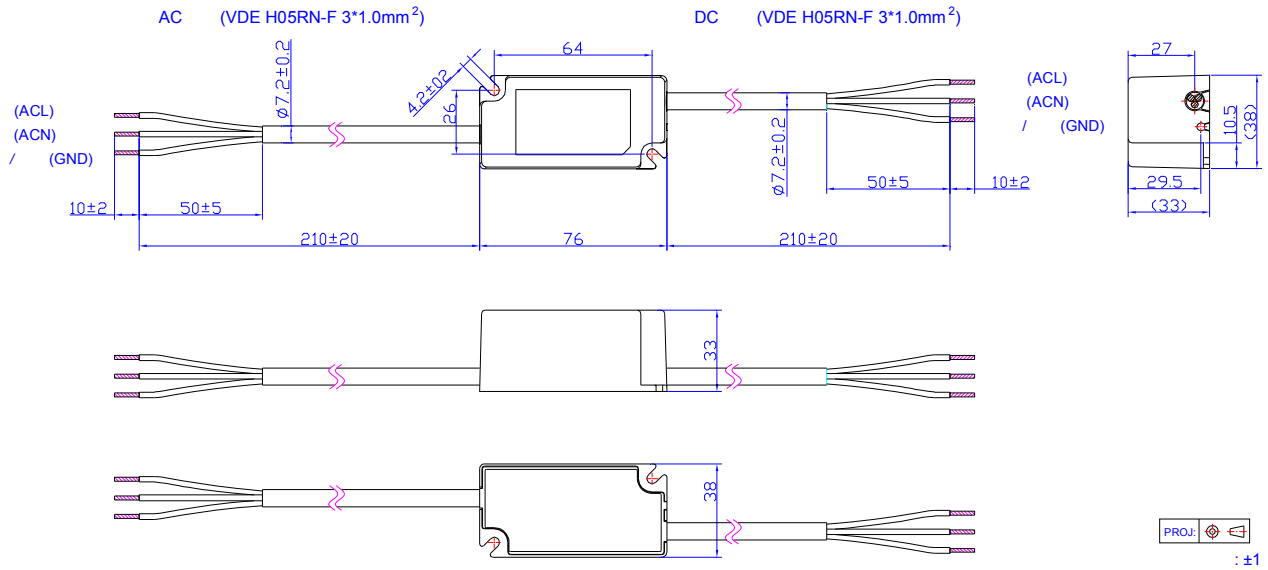
PW-10KD05KWV LED

		L-N	LN-G	(8/20uS)
PW-10KD05KWV	90~264 Vac	2000 V	2000 V	5 kA



	-	180 g	-	

É



2013-05-06	A		/	/
2013-11-07	B		/	
2018-09-29	C	-	/	
			/	